

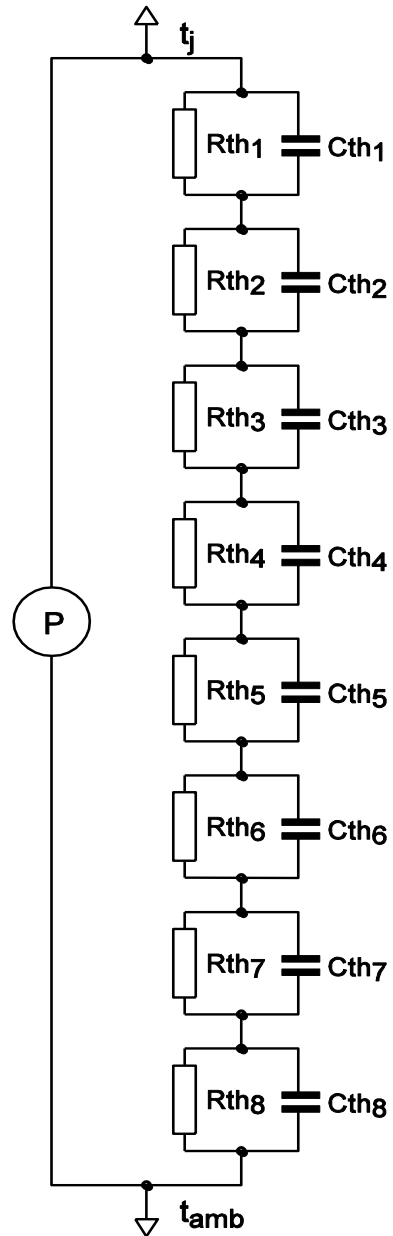
SPICE thermal model

PSMN4R2-30MLD

Symbol	Parameter	Conditions	Min	Typ	Max	Unit
$R_{th(j-mb)}$	thermal resistance from junction to mounting base		-	-	2.32	K/W

C_{th1}	1.319E-05 F
C_{th2}	1.804E-04 F
C_{th3}	1.961E-04 F
C_{th4}	9.039E-04 F
C_{th5}	2.733E-03 F
C_{th6}	3.656E-03 F
C_{th7}	3.614E-01 F
C_{th8}	7.738E+01 F

R_{th1}	4.750E-03 Ω
R_{th2}	6.160E-03 Ω
R_{th3}	5.100E-02 Ω
R_{th4}	9.627E-02 Ω
R_{th5}	3.892E-01 Ω
R_{th6}	1.634E+00 Ω
R_{th7}	1.356E-01 Ω
R_{th8}	3.492E-03 Ω



001aal768

Part: PSMN4R2-30MLD
 Date: 3/3/2015
 Model Rth 2.32 K/W